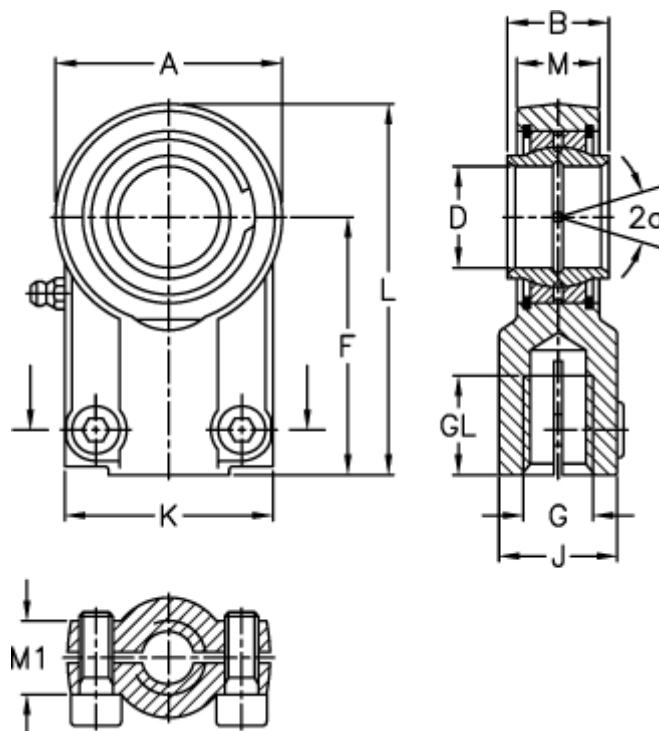


Article number: 03551025

Description: Fluro hydraulic rod end FPR 25CE

## Measures



A	= 58	J	= 30
a (degrees)	= 4	K	= 54
B	= 25	L	= 96
D	= 25	M	= 21.9
Dynamic load C (kN)	= 48	M1	= 19
F	= 65	Static load C0 (kN)	= 78
g	= M20x1,5	Torque (N m)	= 25
GL	= 29	Weight	= 620